

EQUIPMENT SHIPPED

- FoxBox GT;
- Wall power supply (12V - 2A);
- USB LCD display;
- GSM antennae.

Note: all the components have been tested before the shipment.

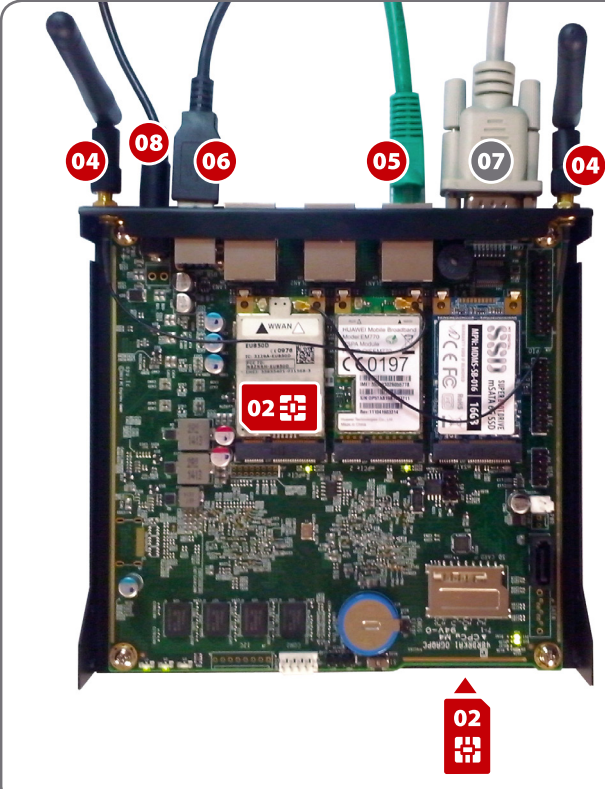
OPERATIONAL REQUIREMENTS

- Electricity source (100 – 240 VAC);
- LAN Ethernet and an Ethernet RJ45 cable;
- A PC with a web browser (recommended: Mozilla Firefox) on the same network of the FoxBox (by default, IP address like 192.168.0.x, FoxBox's one is 192.168.0.98);
- A working SIM card, able to send and receive SMS;
- A Phillips screwdriver.

Note: please check that you are installing the device in a place with enough GSM coverage. You can do it using a common mobile phone.

COMPONENTS INSTALLATION

Note: before starting the installation, please check that the SIM doesn't have a PIN code. In case there is, please remove it using a common mobile phone.



QUICK INSTRUCTIONS

- 01.** Open the FoxBox case.
- 02.** Insert the SIM cards in the placeholders.
Note: the second SIM card slot is positioned on the lower side of the board.
- 03.** Close the FoxBox case and fasten all the four lateral screws.
- 04.** Plug-in the antenna connectors.
- 05.** Plug-in a RJ45 ethernet cable.
Note: connect the cable to the center port if you want to use Bonjour.
- 06.** Plug-in the USB LCD display.
- 07.** Optionally, plug-in Serial cable.
- 08.** Plug-in the power supply.

SYSTEM START AND LOGIN (WEB, SSH) + IP ADDRESS

Once you have connected the cables and inserted the SIM card(s) as shown in the figure above then you can plug in the electric power supply, and the device will start the boot phase.

After a pair of minutes the device will be ready (you should see on the front part one green LED flashing and another one fixed).

Login procedures

On your FoxBox device you'll be able to access the machine in three different ways:

Digit in the browser:

`http://192.168.0.98`

If you have Bonjour enabled on your system digit:

`foxbox.local`

The default credentials to be inserted in the login page are:

- User: admin
- Password: admin

To connect via SSH, write on the UNIX console this command:

```
ssh root@192.168.0.98
```

The default password is:

`foxbox`

Bonjour access additional information

In order to access the FoxBox through Bonjour the GT software version must be equal or greater than A.2.0 and the Ethernet cable must be connected to the central Ethernet port.

Note: Bonjour (Zeroconf) is already installed on Apple and Linux systems, while it needs to be installed on Windows systems. Bonjour can be downloaded as a single package, but the easiest way to do install it is to download iTunes on your Windows machine.

NAGIOS/ICINGA ACCESS PROCEDURE

When available, the Nagios/Icinga interface is reachable at:

- `http://192.168.0.98/nagios3` (for Nagios)
- `http://192.168.0.98/icinga` (for Icinga)

The default credentials needed to login into Nagios interface are:

- User: nagiosadmin
- Password: nagios

The default credentials needed to login into Icinga interface are:

- User: icingaadmin
- Password: icinga

EXTRA DOCUMENTATION

You can find all the updates, the plugins, the widgets and the bug-fixes visiting: www.smsfoxbox.it