

FoxBox Mini quick start guide



Equipment shipped

- FoxBox Mini;
- wall power supply (5V - 1A) and micro-USB power cable;
- GSM omnidirectional antenna.

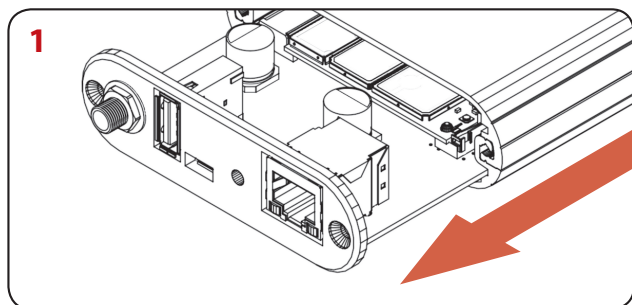
Operational requirements

- electricity source (100 – 240 VAC);
- LAN Ethernet and an Ethernet RJ45 cable;
- a PC with a web browser (recommended: Mozilla Firefox) on the same network of the FoxBox Mini;
- one or two working SIM cards, able to send and receive SMS.

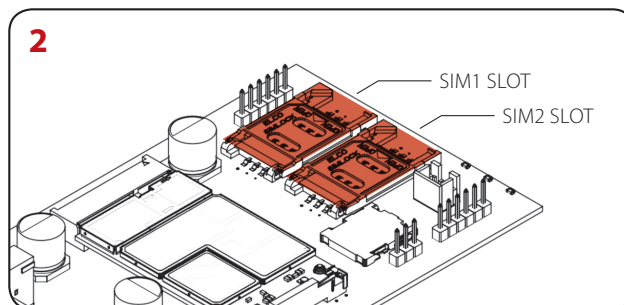
Important: please check that you are installing the device in a place with enough GSM coverage. You can do it using a common mobile phone.

Components installations

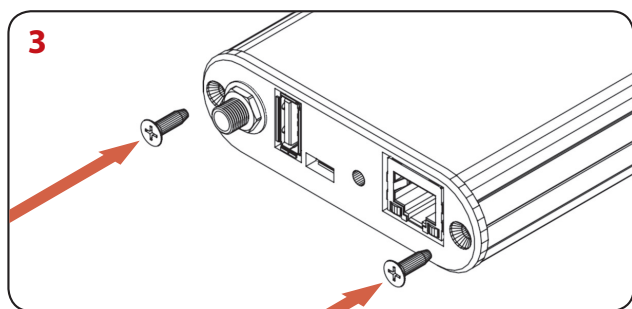
Before starting the installation, please check that the SIM card(s) doesn't have a PIN code. In case there is, please remove it using a common mobile phone.



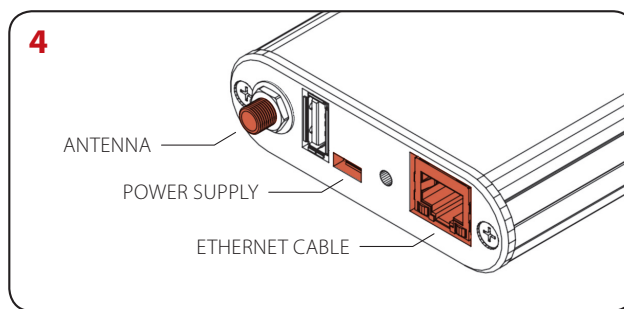
1 Pull out the rear panel and the board from the case.



2 Insert the SIM card into the "SIM1" slot.



- Reinsert the rear panel and the board in the case, taking care to not damage the connectors.
- Insert and fast the rear screws.



- Plug-in the antenna, the power supply (into the microUSB port) and the RJ45 Ethernet cable.
- Power up the machine.

System Start and Login (Web, SSH) + IP address

Once you have inserted the SIM card(s) and connected the cables then you can plug in the electric power supply, and the device will start the boot phase.

When the boot is done all the LEDs will flash simultaneously, then the green LED and one red LED will turn on steady: the device is ready!

About status LEDs: the green LED indicates that the machine is on, while red LEDs indicate which SIM card is actually in use: the **right red LED for SIM1** and the **middle red LED for the SIM2**.

LOGIN PROCEDURES

You'll be able to access the FoxBox Mini through a **web browser** or **SSH**:

Digit in the browser:

`http://192.168.0.98/playsms`

If you have Bonjour* enabled on your system digit:

`foxbox.local`

Enter the default credentials in the login page when prompted:

- User: admin
- Password: acme

To connect via SSH, use on the UNIX shell this command:

```
ssh root@192.168.0.98
```

The default password is:

`foxbox`

Bonjour access additional information

Bonjour (Zeroconf) is already installed on Apple and Linux systems, while it needs to be installed on Windows systems. Bonjour can be downloaded as a single package, but the easiest way to do install it is to download iTunes on your Windows machine.

Download Bonjour Print Services for Windows here: <https://support.apple.com/kb/DL999>.

Extra documentation

You will find all the **updates**, the **plugins**, the **widgets** and the **bug-fixes** on: <https://www.smsfoxbox.it>.